



# MAGNETA

Sarong's breakthrough innovation to fill and seal aluminum and plastic coffee capsules.

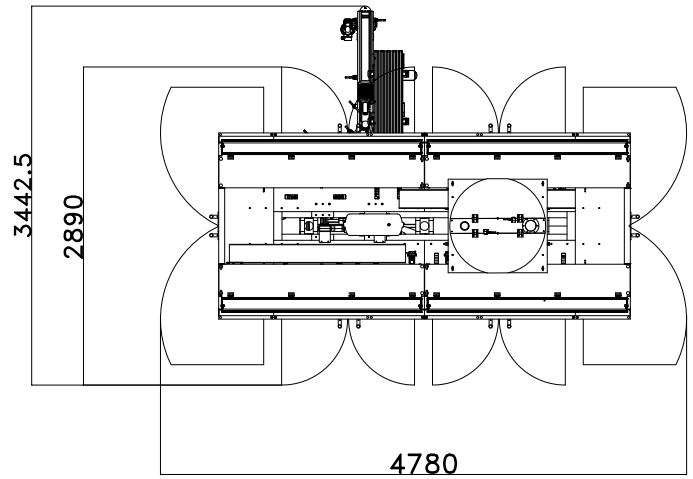
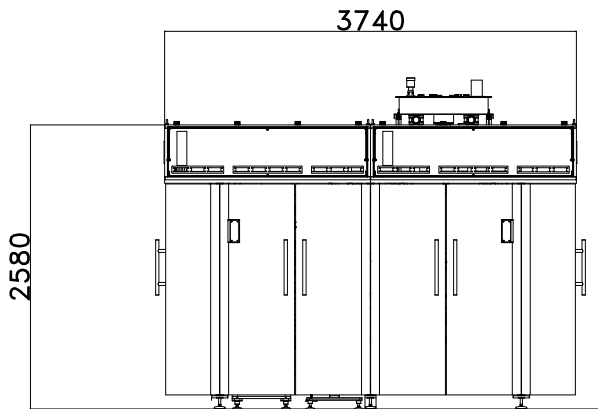
The **MAGNETIC SHUTTLE** system offers high levels of **FLEXIBILITY** and **EFFICIENCY**.

**Flexible to work with any type of capsule:**



**SARONG S.p.A. • Machinery and packaging industry**  
42046 Reggiolo (RE) • Italy • Via C. Colombo, 18

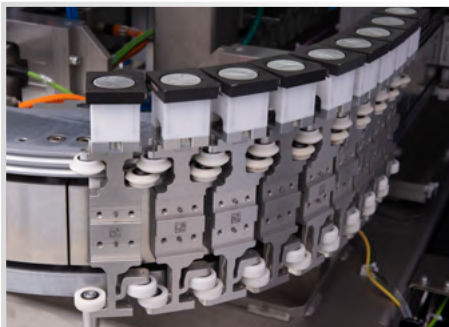
Tel. +39 0522.212.511 • Fax +39 0522.973.340 • +39 0522.212.521 • info@sarong.it



Sarong reserves the right to change the specification without any notice.

### MAGNETA'S BENEFITS

- › No fixed pitch between capsules
- › Flexibility to work with different capsules and products
- › Easy scalability by increasing production capacity
- › Easy and fast changeover
- › Compact footprint
- › Automatic empty capsules feeding system
- › Coffee "fines" control system
- › Reduced number of rejected capsules
- › Minimized maintenance
- › Working stations tool-less removal
- › Scrap material and nitrogen savings
- › Permanent capsule positioning accuracy
- › Filling and sealing in modified atmosphere



**Transport system with independent magnetic shuttles**



**Robotic feeding system for empty capsules**



**Reduction of rejected capsules**



**Top lid material saving**



**Innovative system for capsule filling, pressing and cleaning**



**Micro chambers for nitrogen and vacuum application**